

FIXED FLAT ROOF LIGHT PRICE LIST/ORDER FORM

TRADE
ORDER FORM
AUGUST 2018

Enquiry please quote

Order please process

Date Of Order _____ **Date Required** _____

Contact Details

Ordered By _____

Company Name _____

Address _____

_____ **Postcode** _____

Tel _____

Fax _____

Email _____

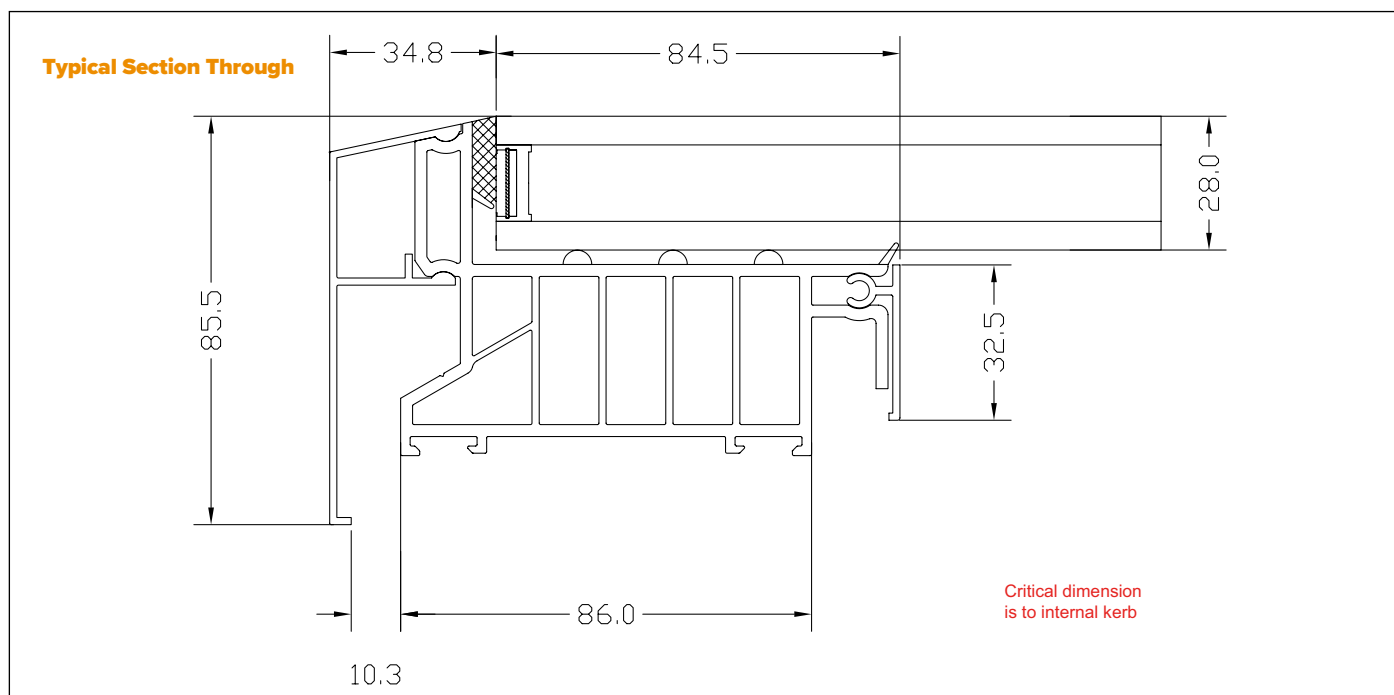
Order No. _____

Your Reference _____

Internal Ring beam mm _____

Width x Length

Colour	Anthracite Grey	White	Black



Glass Specification

6mm clear toughened low e double glazing to inner and outer panes. 16mm argon filled cavity.

Options

Solar control glass with a neutral tint on the outside pane

Price excluding VAT & delivery from the price matrix

Please note that all flat roof lights must be installed on a timber kerb which MUST have a 5° slope, otherwise water will not run off and pooling of water will be evident.